

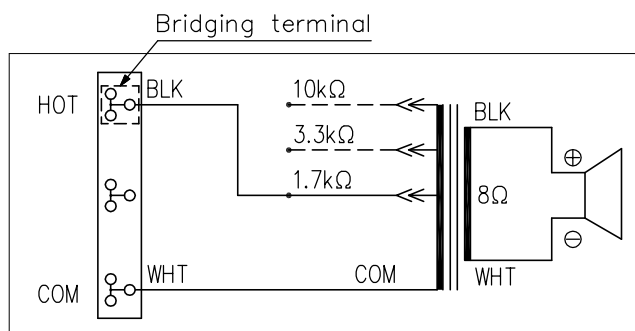
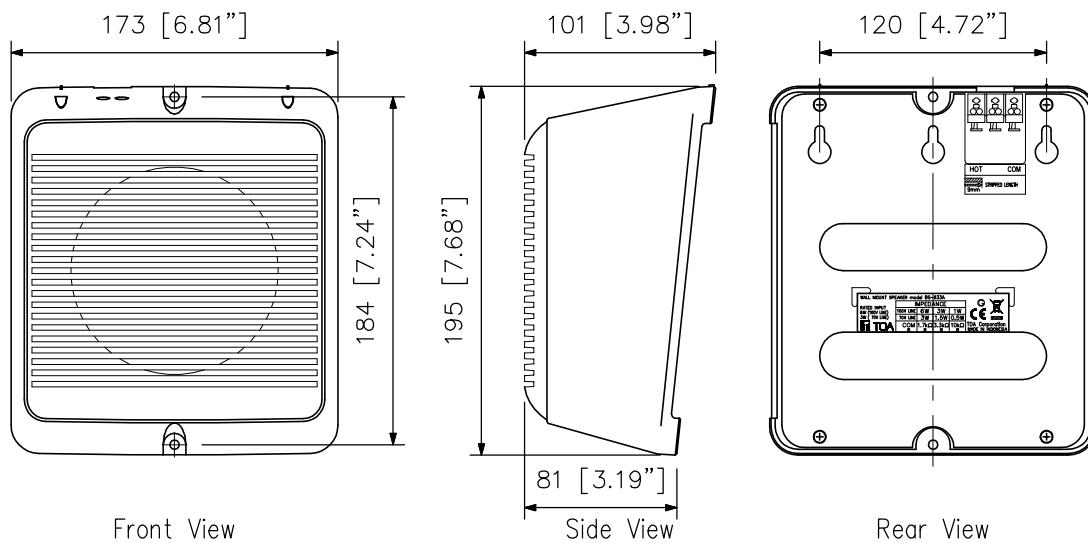
## DESCRIPTION

The BS-633A is wall mount speaker made of ABS resin and can be hooked or mounted directly on the wall. The push-in type input terminal makes cable connections easy and allows bridge wiring. The input impedance can be easily changed by changing the tap position of the transformer from the rear side of the speaker.

## SPECIFICATIONS

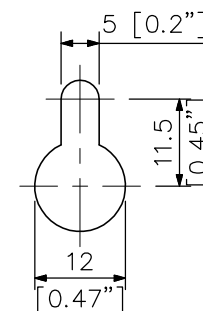
Rated Input	6 W (100 V line), 3 W (70 V line)
Rated Impedance	100 V line: 1.7 k $\Omega$ (6 W), 3.3 k $\Omega$ (3 W), 10 k $\Omega$ (1 W) 70 V line: 1.7 k $\Omega$ (3 W), 3.3 k $\Omega$ (1.5 W), 10 k $\Omega$ (0.5 W)
Sensitivity	91 dB (1 W, 1 m)
Frequency Response	120 - 15,000 Hz (-20 dB)
Speaker Component	12 cm (5") cone-type
Applicable Cable	600 V vinyl-insulated cable (1V wire or HIV wire) Solid copper wire: $\phi$ 0.8 - $\phi$ 1.6 mm (equivalent to AWG 20 - 14) 7-core twisted copper wire: 0.75 - 1.25 mm <sup>2</sup> (equivalent to AWG 18 - 16)
Connection	Push-in connector (bridging terminal)
Operating Temperature	-10°C to +50°C (14°F to 122°F)
Finish	Case: ABS resin, off-white Rear board: Hard board
Dimensions	173 (W) x 195 (H) x 101 (D) mm (6.81" x 7.68" x 3.98")
Wall Mounting Dimensions	Case front mount: 184 mm (7.24") Fixing hole mount: 120 mm (4.72")
Weight	780 g (1.72 lb)
Accessory	Speaker mounting screw (4 x 35 (0.16" x 1.38")) ... 2, Speaker mounting screw (4 x 16 (0.16" x 0.63")) ... 2

## APPEARANCE



(Transformer connection when the speaker is supplied from the factory)

(Note) Use transformer terminals when changing input impedance.



Fixing Hole  
(scale: 1/1)

UNIT:mm SCALE:1/4